

TMAS
ILLUMINANCE MEASUREMENT
Tunnel Lighting Control System

PROJECT	
LOCATION	

FEATURES

- Illuminance: (TMAS)*
- Factory Range : 0 - 5,000Fc
 - Powered by 18-30VDC with polarity protection
 - 2 wire loop powered 4-20mA signal
 - Range changeable in the field, to either to 1/2 or twice the factory setting
 - Time changeable for full scale response to 0 second, and 10 or 20 minutes
 - Program changes over 4-20mA signal wires up to 2,000 ft. away
 - Blue-Enhanced Photo Diode
 - Provide linear response, repeatability and minimal temperature effects over the range of the sensor
 - Components rated for 0° -60°C and housed in thermostatically controlled heated enclosure.
 - UL508A , CAN/CSA C22.2 14-M91 listing
 - 2 year warranty



DESCRIPTION

PLC-Multipoint TMAS sensor provide a linear analog input signal to controllers proportional to the light measured. Sensors shall be enclosed in heated weather- proof housings to prevent icing and condensation. Sensors signal the controller via 4-20mA current loops.

Illuminance Measurement

TMAS Tunnel illuminance sensors provide analog measurement in Foot-candles. TMAS sensors may be mounted to monitor ambient light near each entrance tunnel portal in unidirectional traffic bores or be located in a compromise location when both traffic directions share

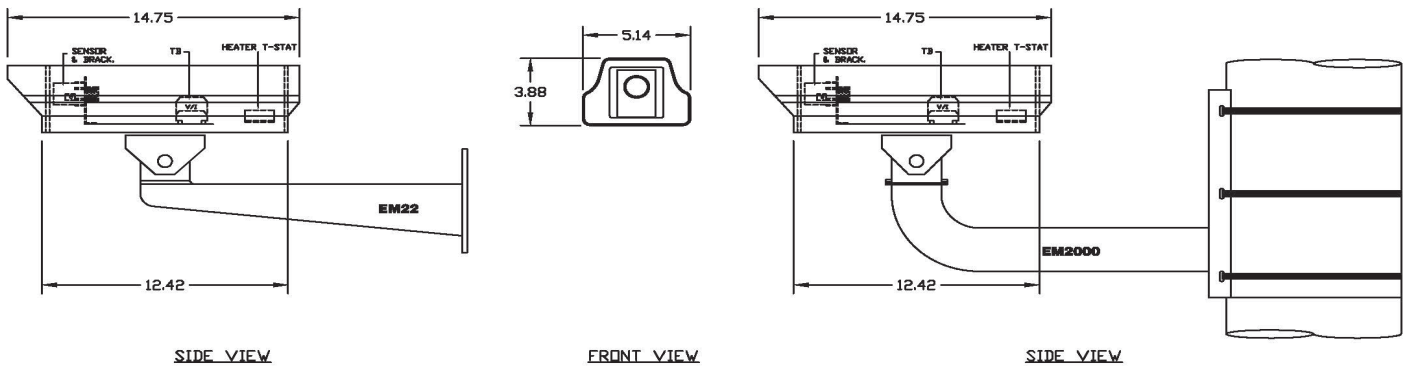
the same bore. The TMAS sensor mounting location is selected from several factors; unidirectional or bidirectional traffic flow, dominant traffic direction, time of year requiring most contrast lighting and maintainability.

The TMAS sensor can be mounted using either an optional wall bracket or pole bracket. Power can be provided from either the receiving controller or using optional multitap transformer TU24 (480/277/208/120 to 24VAC 40VA Transformer) at the sensor.

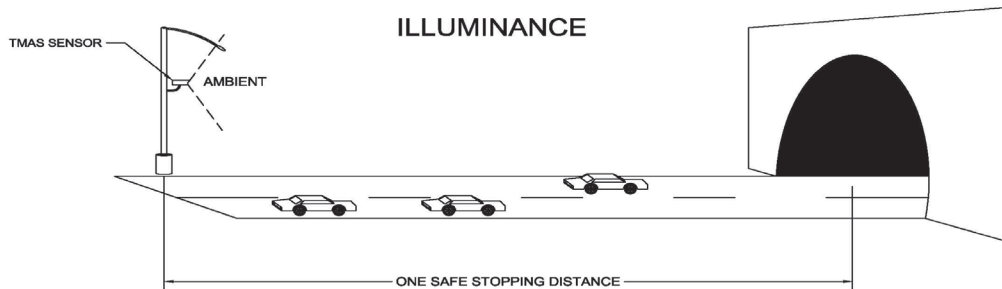
TECHNICAL DATA - TMAS SENSOR - ILLUMINANCE

Accuracy:	Repeatability +/- 5%
	Linearity +/- 2% at 70°F (21°C)
	Temperature +/- 10%
Overall Tolerance:	+/- 12% over the spec light & temp. range
Operating Temp:	-40°F to 140°F. (-40°C to 60°C)
Internal Heating Element:	ON at 50°F (10°C) and OFF at 80°F (27°C)
Sensor Type:	Blue-enhanced Photo Diode
Distance:	2,000 ft.
Housing:	Nema4
Adjustment:	Use PLC-Multipoint MAS-CAL
Sensor Ranges:	2,500Fc, 5,000Fc (Factory Cal.), 10,000Fc
Sensor Response Time:	0 sec, 10 min (Factory Cal.), 20 min
Power:	24VAC
Compliance Voltage:	24VDC & 6VAC +/- 6VDC
Protection:	Non Polarized Voltage Limited
Sensor Output:	4.0 - 20mA + .1I - .1mA
Listing:	UL508A, CANICSA C22.2 14-M91
Notes:	Field scalable w/ MAS-CAL. SEE MAS & MAS-CAL datasheet for more info.
Options:	EM2000 - Pole Bracket or EM22 - Wall Bracket TU24 - Multitap 24VAC Transformer PLC-Multipoint MAS-CAL Calibration Unit

DIMENSIONS:



SENSOR LOCATION & VIEW:



ORDER INFORMATION:

Sensor
TMAS -

Mount
W = Wall -
P = Pole -

Remote Power
blank = Controller
TU24 = TU24 Transformer

Example

TMAS - W - TU24

If you have any questions, please call us toll-free at 1-866-998-5483
3101 111th Street SW • Suite F • Everett, WA 98204
425-353-7552 • Fax: 425-353-3353 • www.plctransportation.com

301 TMAS Rev0.2



A Division of PLC Multipoint, Inc.

